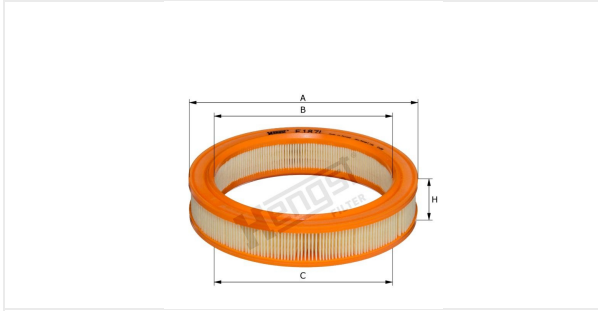


Air filter insert  
E187L



**Technical data**

EDP	10731310000
EAN	4030776081046
Status	Available

**Dimensions in mm**

A	237.00
B	184.00
C	184.00
D	
E	
F	
G	
H	50.00