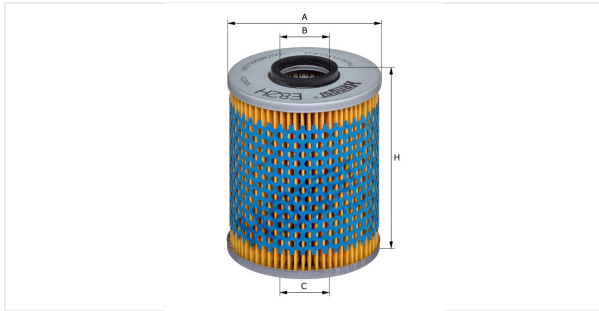


E82H D24



Hengst EDP

1799110000

EAN

4030776079449

**mm**

A	82.00
B	28.00
C	28.00
D	
E	
F	
G	
H	110.00