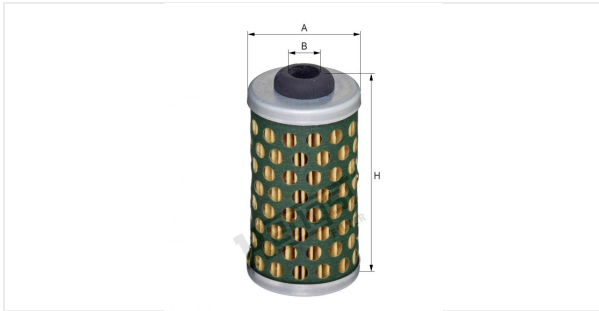


E506KP



Hengst EDP

608210000

EAN

4030776062021

**mm**

A	29.00
B	8.00
C	
D	
E	
F	
G	
H	52.00