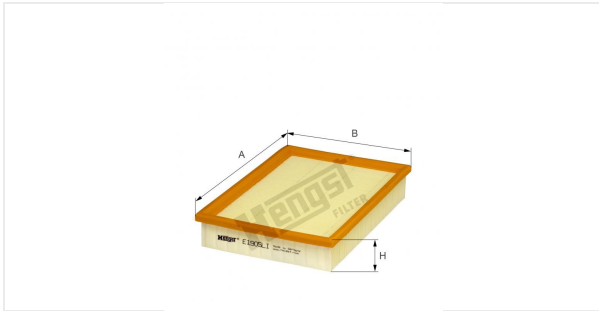


E1905LI



Hengst EDP

6818310000

EAN

4030776037906

mm

| | |
|---|--------|
| A | 269.00 |
| B | 187.00 |
| C | |
| D | |
| E | |
| F | |
| G | |
| H | 46.00 |