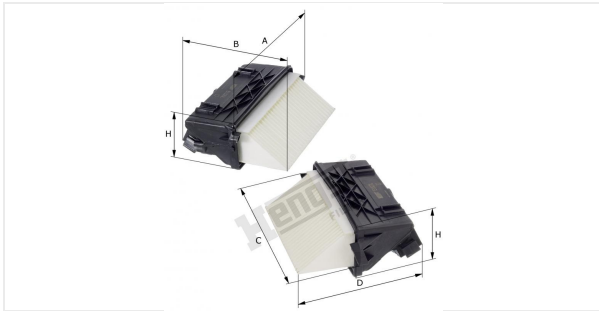


E1328L-2



Hengst EDP

8587310000

EAN

4030776056495

mm

A	301.00
B	193.00
C	306.00
D	193.00
E	
F	
G	
H	97.00