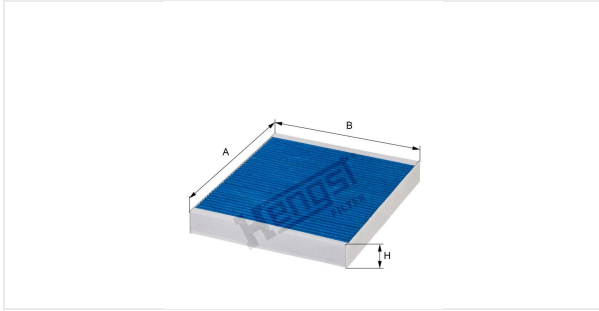


Biofunctional
E3907LB



| | |
|-----|---------------|
| EDP | 10388310000 |
| EAN | 4030776075076 |

| | |
|-----------|--------|
| mm | |
| A | 240.00 |
| B | 204.00 |
| C | |
| D | |
| E | |
| F | |
| G | |
| H | 30.00 |