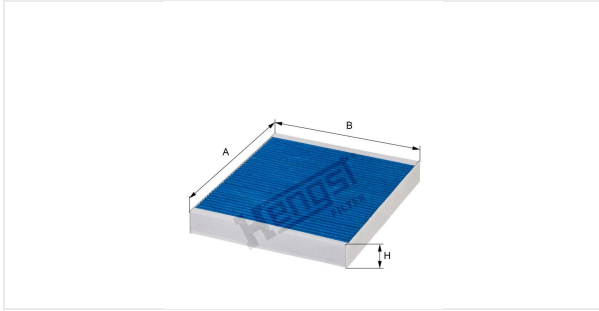


Biofunctional
E3907LB



EDP

10388310000

EAN

4030776075076

mm

A

240.00

B

204.00

C

D

E

F

G

H

30.00