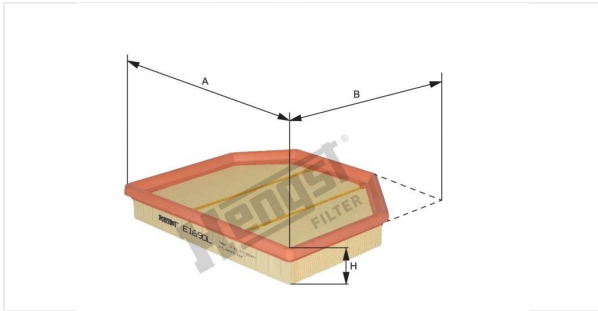


E1690L



EDP

8565310000

EAN

4030776057850

**mm**

|   |        |
|---|--------|
| A | 236.00 |
| B | 214.00 |
| C |        |
| D |        |
| E |        |
| F |        |
| G |        |
| H | 38.00  |